

Floor convectors' design finishes

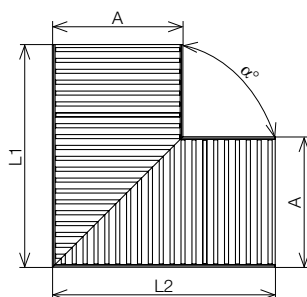
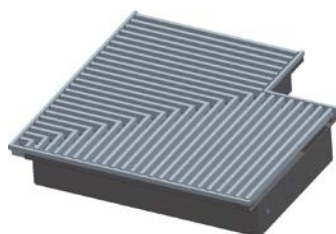
Specifications

corner (angle) parts maximum design depth (cm)	7
arch design depth (cm)	8, 9, 11, 15 and 19
production possibilities must be evaluated individually	
case design	black zinc galvanised steel
grid design	aluminium, wood, stainless steel
the floor grid must be always ordered together with the design convector	

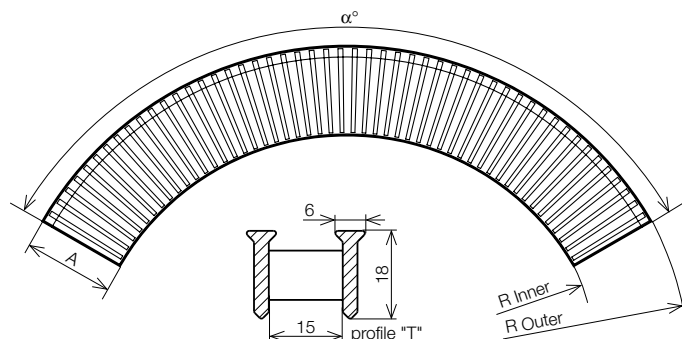
To ensure a perfect interconnection of floor convectors Licon in the rooms' corners it is best to use corner parts RD. The corner piece comes complete with a corner cover grid piece for all offered versions.

The corner piece has no effect on the heat performance of the heating body and only serves as a visual complement. The corner pieces must be ordered together with the adjacent floor convectors including cover grids. No heat exchanger can be placed in the corner part, therefore it does not heat.

Corner



Arch



Dimensional series

width of channel A (cm)	16	20	28	34	42
length L1, L2 (cm)	20	30	40	50	50

The minimum internal radius of the arc version must be more than 300 cm. Use type "T" profile aluminium grids on a spring when fitting the arch version with the aluminium grids, see image and U frame. (F frame could not be used due to design reasons)

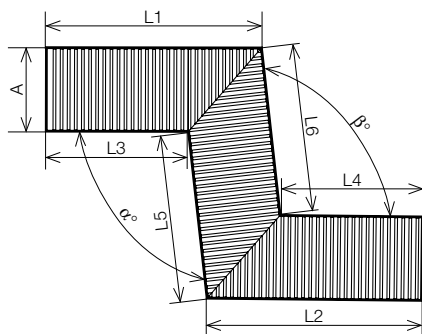




Before taking orders for a custom (atypical) design of the floor convector it is necessary to fill in the atypical product form found on www.licon.cz, otherwise ask the Licon Sales department for the form. On the basis of this filled in form we reserve the right to assess the production possibilities before accepting the order. Heat outputs can not be in any way guaranteed, the manufacturer may on request carry out an expert estimate of the possible heat out-

put. To order a corner design you must specify the angle α and the total width (A), which must correspond with the widths of the produced floor mounted cases. It is necessary to specify the angle α for all shapes, including the arched design, and the inner or outer radius (R – inner, R – outer) and the overall width (A) that must correspond with the widths of the produced floor mounted cases.

Corner Z



Corner U

